



MSJC celebrates 48th graduation

By Erica Johnson, staff writer

Over 1,000 students will graduate from Mt. San Jacinto College at the end of this month.

Students will receive recognition for their completion of requirements for an Associate's of Arts or Science degree. More students will receive vocational degrees or transfer to higher institutions.

The Class of 2013 will be a part of MSJC's 48th graduation, which will take place May 31 at 6 p.m. at the Ramona Bowl Amphitheatre in Hemet.

Some notable students will graduate and continue their athletic careers.

Kerah Natividad will transfer

to Cal State University Dominguez Hills to play women's basketball on a National Collegiate Athletic Association Division II team. She was the starting forward for MSJC's Lady Eagles.

Dalton Hunkle, a former wide receiver for MSJC's football team, will also be a part of the class of 2013. He transferred to Sacramento State last year in order to continue his career on a NCAA Division I team.

Other students are having trouble deciding where to continue their studies.

Ingryd Flores, an English major, has the option of attending University of California, Irvine

or University of California, Riverside. She spent three years at MSJC in order to acquire an AA degree.

Although Flores is eager to transfer to a higher institution, she will miss the personal environment at MSJC. "I have enjoyed the smaller and intimate class sizes," she said.

After obtaining alumni status, graduates can apply to become a member of MSJC's Alumni & Friends Association. Benefits include supporting students with scholarships, and receiving free tickets to plays and other school events.

Congratulations Class of 2013!

Congressman visits MSJC to deliver inspiring speech

By Sandi M. Colby, staff writer | photo by Freddie Garcia

"If you remember one thing from this talk, remember when you dream to dream big."

Those were the inspirational words Congressman Raul Ruiz, M.D. used to conclude his speech at the San Jacinto campus last month.

Ruiz represents the 36th District of California. His Educational Outreach Talk was held during college hour on April 30 in the SJC theater. The event was hosted by the Honors Enrichment program and organized by two honors mentors, Jeffery Patterson and Norberto Gonzalez.

The theater was filled to capacity with students, faculty, staff and members of the community who wanted to hear what the congressman had to say.

He shared his personal story about the difficulties he faced getting to college and how he was able to overcome those obstacles. He also explained how important it was to come back to the community that supported him.

"You could hear him with a great message," said MSJC President Dr. Roger Schultz, "and our students were so respectful."

Education and service were the main themes of the presentation.

"There are two parts to the formula of the American Dream," said Ruiz. "First, strive for excellence through personal responsibility. Always work to do more and do better. Second, perform service for others through social responsibility."

After his speech, Ruiz spent time talking to students, answering their questions, and taking photographs with them.

"The congressman was very interesting," said Gilbert Van Buskirk, a political science major. "He cares a lot about the community and it looks like he's really going to push a strong effort to support education."

"It was an inspirational day as soon as the congressman set foot on campus," said Patterson, a political science major. "And after he left his voice resonated through the ears of the people in attendance and many of us feel motivated and inspired to get involved with our school and our communities."

Continued on pg. 10...



Congressman Ruiz speaks to students at the San Jacinto campus on April 30.

Students receive \$30,000

By Rachel Johnson, staff writer | photos by Freddie Garcia

Three MSJC students will now be able to attend their dream schools after winning \$30,000 transfer scholarships.

Amy Bartel, Shayla Esarey, and Samuel Fall were this year's recipients for the Jack Kent Cooke Undergraduate Transfer Scholarship. This is the first time in MSJC history that three students were selected in the same academic year.

"[It was] a pure, end-of-the-rainbow kind of moment," said Fall, who plans on using his JKC scholarship to earn a PhD in electrical engineering from Stanford University.

The JKC scholarship awards students transferring from a community college to a four year university with as much as \$30,000 per year for two to three years while they continue to work on earning a bachelor's degree.

This scholarship is so acclaimed that only a select amount of students in the nation are recognized. This year only a mere 73 were selected out of more than 800 submissions.

Applicants had to go above and beyond to distinguish themselves in order to win. Candidates were evaluated based on GPA, financial need, desire to engage in and contribute to the world, and

their resilience.

All three winners are former officers for Phi Theta Kappa and are, or have been, Supplemental Instruction Leaders, among a number of other activities.

"All three were not satisfied with simply excelling in the classroom," said Erik Ozolins, co-director of the Honors Enrichment Program. "They also became very active at the college and in their community."

Fall said that everything matters when applying to this prestigious scholarship.

"Your grades represent your mastery of course material," he said. "Your community involvement lets them know that you aren't self-centered, and your punctuality will be important in getting the very long and complicated application done on time."

Bartel, who plans on transferring to the University of California, Berkeley, said her attitude made a difference in her educational experience.

"Attitude changes everything," she said. "You have to think you can in order to provide yourself with the opportunity to do so."

Bartel wants to complete her degree in Anthropology and hopes to become an Anthropology professor.

"As a professor, I plan to be



Counter-clockwise from top: Amy Bartel, Shayla Esarey, and Samuel Fall are honored by Congressman Raul Ruiz, M.D. during his visit to MSJC on April 30.

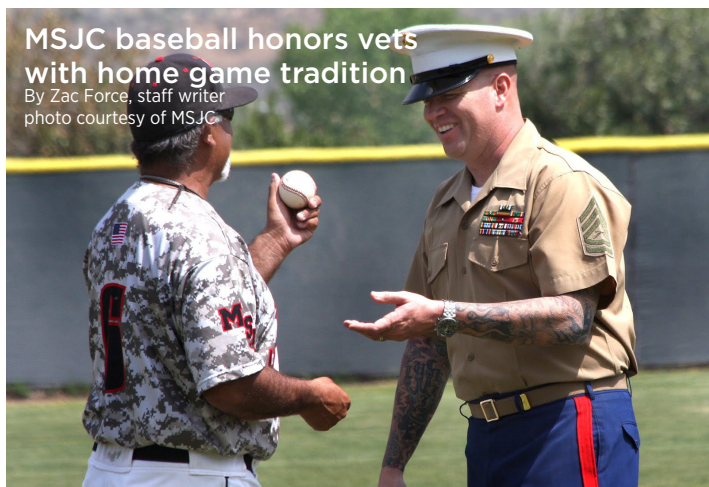
active in the same types of programs and organizations that have provided me with support as a student," she said.

Esarey, a political science major, also plans on going to UC Berkeley and giving back to education.

"[I aspire] to become involved in the evaluation and reform of education policy in the United States," she said. She wants to

help shift the public school system away from standardized testing and policies, such as No Child Left Behind.

The Jack Kent Cooke Foundation has been providing hard working students with scholarships since 2000. Last year, the JKC Scholarship winner from MSJC was Joseph Stacy, the previous vice president of the Student Government Association.



MSJC baseball honors vets with home game tradition

By Zac Force, staff writer
photo courtesy of MSJC

The MSJC baseball team has invoked a new tradition before all home games for players and fans to honor those who help keep this country safe.

Now before every home game the team salutes veterans of the armed forces. Each game is centered on a single veteran from any branch of the military.

A short presentation about the veteran's service time and their achievements are presented.

In addition to being recognized, the veteran also gets the honor of throwing out the first pitch of the game.

Head coach Steve Alonzo began this tradition because of the military history in his family. "We started it because my son and daughter are in the Army and it kind of just happened," he said.

His son Brant is a medic, and his daughter Stefanie is a computer technician. Both will be deployed shortly. Alonzo keeps a photo of Brant and Stefanie in their military uniforms in the dugout in order to remind his players how lucky they are. It also provides motivation out on the field.

"It really gives me a view of what we stand for," he said. "I don't think kids realize how privileged they are."

The team likes this new tradition so much now that they sport camouflage jerseys at every game, including away games.

Baseball season ended earlier this month. One of the highlights of the season for Alonzo was winning his 500th game in his 26 years of coaching, a milestone in his career.

The Eagles had a record of 24-12, including a phenomenal 14-3 record at home.

This record put them in second place in the conference behind San Bernardino (28-8) and made MSJC the 12th seed in the playoffs. MSJC lost to Mt. Sac. in the first round of the playoffs.

Professor Sisk: MSJC Foundation's Faculty of the Year recipient



By Sandi M. Colby, staff writer
photo by Freddie Garcia

“Mr. Sisk pours a lot of himself into his teaching. It takes a lot of time and effort to do that and I truly appreciate that.”

-Richard Salcedo, English major

Professor Sisk accepts his faculty of the year award at the Golden Jubilee Gala in February.

English Professor Richard Sisk usually begins the semester by apologizing to his class for any coffee rings or taco sauce stains that may appear on their papers when he returns them. He spends many hours at some of his favorite restaurants meticulously grading papers. This is just one of the reasons why he was honored at the Golden Jubilee Gala earlier this year.

The MSJC Foundation presented Sisk with the Faculty of the Year award on Feb. 9. The Foundation, which has a connection with students and the general campus staff, chooses the recipient based on how well that person embodies their perception of model faculty.

MSJC President Dr. Roger Schultz respects Sisk's dedication to students, and supported the Foundation's choice.

“Richard is the picture perfect educator in that he's scholarly, he's friendly and approachable, his care for students and staff is genuine, he has a lot of integrity, and his range as an educator goes from the basics up to very high level critical thinking,” he said. “He validates the Foundation's choice in everything he does, constantly.”

Judging by the audience's response the night that Sisk was awarded, many people feel the

same as Schultz.

“I remember someone said, ‘You got the award not because of anything you did last year, but for things you've done for the last 24 years,’” said Sisk. “It was gratifying to be recognized. Everyone was so gracious to me in presenting the award and offering the congratulations for it.”

Sisk is currently the department chair for the San Jacinto campus English department. He also teaches several composition classes and a creative writing course.

English major Ricardo Salcedo is currently enrolled in Sisk's creative writing course.

“Mr. Sisk pours a lot of himself into his teaching. He takes the time to read each one [of our papers] and comments on every little thing that can be done to improve it,” he said. “It takes a lot of time and effort to do that and I truly appreciate that.”

Art major Halima Ladbon likes that Sisk has his creative writing students keep a notebook or journal during the semester. “He encourages you to take in your surroundings and you start to notice more about what's happening,” she said.

“I've taught the whole spectrum [of classes] over the years,” Sisk said, “but right now being department chair keeps me quite busy.”

As department chair, Sisk helps to create the schedule of classes each semester. He figures out which classes students need, and finds faculty to teach them. Additionally, he is responsible for evaluating current instructors, assessing ongoing programs, and writing new programs.

Sisk also produces the school's annual Flight anthology. Flight is MSJC's printed collection of student work. It includes essays, poetry, short stories, photographs, and artwork all created by students. Several published students joined Sisk in reciting original work during a recent open mic night on the Menifee campus.

Sisk enjoys teaching for many reasons. He loves the creativity the job requires to meet and overcome challenges. He enjoys assessing how different students learn in order to refine his teaching. His goal is to find the most effective ways to present the material, so classes are engaging and the information is easily understandable.

“It is never boring because there are always new students coming,” he said.

“I also like the freedom of the schedule,” Sisk continued. “It's

never the same thing day in and day out. I have classes, meetings, and office hours, and I'm able to craft my own schedule instead of the 8 to 5 type thing.”


Celebige Alija has had Sisk as a professor for multiple classes. “I look up to his skills. He is a very good English teacher and he doesn't give up on anything,” she said. “If you have questions you can just go to his office and ask questions or whatever you need.”

Sisk continues to learn from his students and respects all of their hard work.

“I admire students immensely because they are here working on their education and improving their opportunities in life,” he said. “And they're doing it with too little money, too much stress, and too much family dynamics at work and away from school.”

He remembers what it was like to be in college, and urges students to keep going.

“Stay determined when working towards your goals,” he said. “Students will always have doubts, stress, and setbacks that are difficult to get through, and it's important not to let those things get to you.”



STUDENT AFFILIATES
AT
MT. SAN JACINTO COLLEGE

THE AMERICAN ASSOCIATION OF UNIVERSITY WOMEN

Promoting equality for women and girls through
advocacy, education, philanthropy and research.

WHAT WE DO:


- ◆ Promoting awareness about social issues affecting women and girls
- ◆ Provide networking opportunities
- ◆ Encourage transfer to 4-year universities and colleges
- ◆ Community involvement through service projects and campus activities
- ◆ Create a supportive environment among members for the benefit of intellectual and professional empowerment
- ◆ Provide scholarship opportunities
- ◆ Host monthly socials to create and maintain a sense of friendship and camaraderie among the members of our group

Meetings are held on the first Friday of every month at noon
on the
Mt. San Jacinto Menifee Valley Campus
in Room 1015

For more information, please contact our AAUW Affiliates President
Selene Herrera selene.herrera@me.com

OR

Our AAUW Adviser, Connie French connie.french1@verizon.com



THE AMERICAN ASSOCIATION OF UNIVERSITY WOMEN (AAUW) IS A NATIONAL ORGANIZATION WITH STATE AND LOCAL BRANCHES OF NEARLY 100,000 MEMBERS

Zombie apocalypse coming to San Jacinto campus

By Shawnees Peacock, Assistant Editor

Honors students better brace themselves next semester: zombies are coming!

For the Fall 2013 semester, honors students at the San Jacinto campus will have the opportunity to take an exciting seminar course on zombies.

The Honors Program Seminar, also known as HEP 200, is a unique class that honors students must take in order to complete the program requirement before they graduate or transfer.

HEP 200 is a small, discussion based class that requires students to synthesize information presented by guest lecturers invited to share their ideas on a particular topic.

"This is likely the first time zombies have been a topic for a course at MSJC," said English professor Michael Plotkin, one of the instructors spearheading the seminar.

Plotkin said that this seminar topic was the brainchild of Life Sciences professor Paul Henry.

Henry and Plotkin worked together last spring when they taught an honors seminar about postmodernism and documentary film. They decided to join forces again to teach the upcoming course on zombies.

"The wide ranging explorations we undertook in the postmodernism class provided a natural entre into the world of the post-living," said Plotkin. "[Zombies], who are quintessentially postmodern, are popular subjects for cinematic flights of dystopian fantasy, and they carry a richly varied array of symbolic significance in this modern world."

Some may think that zombies have no place in academia, but Henry and Plotkin hope that students will take a leap of faith by enrolling in this course.

"The content of the class depends to a large degree on the creativity and initiative of our faculty and the exceptional students who take the class," said Plotkin. **Continued on pg. 8...**

Mt. San Jacinto College students competing in a robotic submarine competition are looking to raise money and find sponsors.

The Robotic Submarine is holding its 16th annual competition this year in San Diego.

Many countries around the world will compete, such as Japan, Spain, and Russia, as well as other colleges and universities in the United States. Competitors must build an autonomous underwater vehicle that can perform tasks without a remote control or driver.

Although the competition isn't correlated with MSJC, members from the STEM club are competing because it's a great opportunity. Computer engineering major Richard Santana is the leader for MSJC's team.

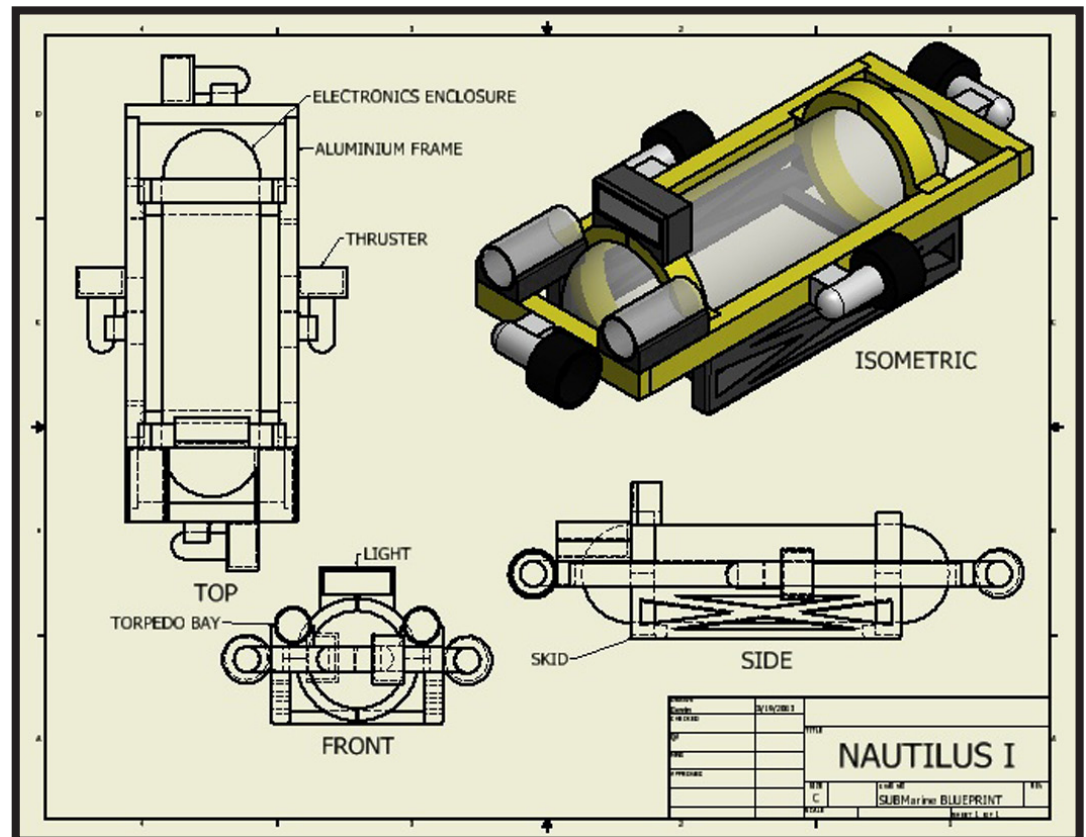
"[The submarine] will be able to follow lane markers, stop at traffic lights, parallel park, avoid a speed trap, pay a toll, practice driving, grab an object and move/release the object," he said.

The team must be able to design, fund, build, and program a submarine that is able to accomplish all of these tasks. The MSJC team is hoping to raise \$4,000-5,000 to complete their mission.

Santana also works for Gears 2 Robots, a company that teaches robotic design, building, pro-

Students seek sponsors to build submarine

By Reta Bidi, staff writer



A blueprint of the team's autonomous underwater vehicle.

gramming, logic, team work, and presentation to students of all ages.

Gears 2 Robots is partially sponsoring the competition, but Santana is looking for more. He is also seeking more interested

students from MSJC.

The competition will be held at the SSC Pacific TRANSDEC in San Diego from July 22-28. This event is made possible through the Association of Unmanned Vehicles Systems International

(AUVSI).

Interested participants, donors, and sponsors can contact Santana at operations@gears2robots.com.



JUNE 1 THROUGH AUGUST 10

SUMMER 2013

- Classes in San Marcos, Temecula, and online
- Catch up on classes you dropped or missed
- Open to the public
- Fully transferable

OPEN ENROLLMENT BEGINS APRIL 6



For more information visit www.csusm.edu/el or call 760-750-4020



Recycled Art Fashion Show

By Shawness Peacock, Assistant Editor
Photos courtesy of Kathy Chappell, Photo Creations



Students create eco-chic designs to fund art department

Participants strut the runway in recycled creations.



Last year's Recycled Art Fashion Show winner.



Ahjile Miller in her "Ban the Bag" dress.



MSJC alumna April Estoch



Art major Sarina Arden models "Kitsune."



A recycled art fashion show helped raise more than \$500 for the Mt. San Jacinto College Art Department.

The show took place at Monte De Oro Winery in Temecula last month. MSJC students and community members displayed their wearable pieces of recycled art on the catwalk.

This evening marked the 2nd annual Recycled Art and Fashion Show presented by Temecula Recycling and Hine Temecula Mazda in celebration of Earth Day and to fundraise for the MSJC Art Department.

The event put the need to go green on center stage. Participants put their creativity to the test by using everyday items to create avant garde looks.

"We wanted to show how you can see beauty in everything including trash," said Eileen Doktorski, art department chair at the San Jacinto campus.

Putting on a fashion show ev-

ery year in the community helps illustrate this growing trend of being environmentally conscious.

"Going green is the new thing," said Jane Laskin, public relations at Temecula Recycling.

This event acted as a unique platform to raise awareness in the community about the environmental issues threatening today's society.

"Recycled fashion shows are big around the world. They're relatable, fun, artistic, interesting, and they make people aware," said Laskin. "It's a fun way to educate the community."

The wearable art pieces curated by participants demonstrated how viable it is to recycle, up-cycle, and reuse objects in fashion. Designers transformed materials like duct tape, comic books, thrift store items, newspaper, and plastic bags into highly conceptualized clothing.

The looks were modeled on a runway in front of an audi-

ence and a panel of judges. Afterwards, judges deliberated and announced winners.

Graphic design students Thanya Hernandez, Emilio and Jacob Castillo won the award for "The Most Transformed" for their piece "The Witch Doctor." This tribal design was mostly comprised of natural materials, like palm tree bark and leaves.

"This piece was a product of a wild imagination," said Castillo.

MSJC alumni April Estoch won the award for "The Most Innovative Design" for her intricate and elegant silver gown.

"It feels amazing to win," said

Estoch. "It's a privilege to help promote the arts for MSJC."

Other pieces were also notable.

Drama major Ash Green and his model Sarina Arden, art major, showed off their piece "Kitsune." This Japanese inspired design featured up-cycled materials like party streamers, plastic bags, and tablecloths sewn together with dental floss.

The mother daughter duo Albia Miller and Ahjile Miller, photography major, displayed their piece "Support Ban the Bag," which was primarily made out of Trader Joe's flower bags.

"This event gives students the opportunity to branch out and express themselves artistically and emotionally," said Laskin.

Although this event focused on fundraising for art courses and raising awareness about recycling, students who participated in the fashion show were pushed to their creative limits.

"The students have really pushed the boundaries," said Doktorski.

Zombie apocalypse continued from pg. 4

“We will solicit faculty members from any discipline who feel they have something to say about zombies to come and enthrall us, and we will expect our students to develop original analyses, investigations, or creative expressions of the meaning of zombies,” he continued.

The class will be rooted in film but will have a multi-disciplinary approach to zombies with guest lecturers from biology, anthropology, philosophy, psychology, and history. This will also allow students to tailor the seminar to his or her own areas of interest.

Guest lecturers and the content of their presentations haven't been set in stone as of yet, but students should expect to listen to and be engaged in impressive and thought provoking material.

“The full slate of guests is not firmed up yet, but I imagine willing professors will be breaking down the doors—think ‘Dawn of the Dead,’” said Henry.

This course is bound to fill up quickly due to the immense interest and curiosity that our generation holds about zombies.

Corrections:

The Talon endeavors to publish accurate information for our readers.

An article about a bomb threat that appeared in the March 21, 2013 issue of The Talon needs clarification. MSJC received a phone message on Jan. 25, 2013 about a bomb threat. The 1200 building on the San Jacinto campus was evacuated, law enforcement found no explosives, and MSJC arrested the suspect the same day. The college has a restraining order against the suspected caller, Frank Blankenship.

A second threat occurred on Feb. 1, 2013 when a Los Angeles man entered the Child Care Center on the San Jacinto Campus and is suspected of making threats. MSJC arrested Daniel Adam Yorke the same day. The college has a restraining order against Yorke.



Club Spotlight: APIC (Asian Pacific Islanders Club)

By Kurt Lauk, staff writer and Emily McKellar, Editor-In-Chief
photo by Freddie Garcia

Art major Jarel Santos represents APIC in a dance-off at SGA's April BBQ.

APIC is the new Menifee campus club that keeps on growing.

More than 40 members strong already, the Asian and Pacific Islanders Club represents Filipino, Korean, Japanese, Vietnamese, Hawaiian, Chinese, Taiwanese, and other Asian students.

APIC President Cedric Saliba, a music industry major, started the club at the beginning of the semester so students could come together and learn more about Asian cultures.

Saliba was a part of the San Jacinto campus Asian club during his first semester here before it fizzled out due to scheduling conflicts. He felt it was important to revive the club.

“There is a good amount of Asian students at MSJC, so I figured it would be a good place for them to feel a part of the campus culture,” he said.

While the club tries to maintain an academic focus, it has earned the reputation as being the “party club” on campus since its inception. Internal Vice President John Okada doesn't mind this title, and attributes it to the fact that every member of APIC is friends.

“The foundation of the club was built on family,” he said. “Everyone is so comfortable with one another, and I look at members of the club as brothers and sisters.”

This familial feel in the club has helped attract more members, but at a cost. Most members of this extended family congregate in the lobby area of the Learning Resource Center, a high-traffic area that has become increasingly noisier this semester. As a result, signs have been posted asking

students to quiet down.

“We've always been there, but as the club began to grow we attracted more people,” said Okada, who thinks the school should invest in a student commonplace where clubs can meet without disturbing others. “I think the only reason people congregate [in the LRC] is because it's easy to find, it's out of the sun, and it's indoors.”

Despite this, Okada said he doesn't mind that students and faculty are talking about APIC because it's helping the club get things off the ground.

“When the club is established it will be a more structured and focused club,” he said. “I definitely think that's an obstacle we are currently trying to overcome, and I want to have a more professional attitude within APIC.”

Next semester APIC wants to focus on the important issue of Asian minority groups. They plan on hosting a lecture series called “Asian Awareness” in order to inform the student body about the variety of Asian cultures.

They also hope to be more involved in the community, and raise enough money to give a scholarship to one of their most involved members.

APIC meets every Wednesdays from 4 to 5 p.m. in room 412 on the Menifee Valley campus. Students from all backgrounds are welcome to attend and become a member.

They are currently looking for more dedicated, motivated, and consistent students to take on officer positions for next semester.

Local nonprofit has goal to aid Haiti with soccer

By Jeana Robbins, staff writer | photo courtesy of Project Kickabout

A group of friends hope to expand their nonprofit charity Project Kickabout by bringing the joys of soccer to children in Haiti this summer.

Project Kickabout is an emerging organization with a goal to provide children of developing countries with equipment to play soccer. The project “drops” soccer balls, jerseys, shorts, and cleats off for children who cannot afford the resources themselves.

The project went to Tijuana, Mexico last year, and now they are teaming up with HelpUsSaveUs to make a drop in Haiti.

Business major Gustavo Magana is a volunteer for Project Kickabout and helped organize the trip to Tijuana. Although he doesn't play soccer, he joined the project because he had the time and resources.

“It wasn't about making my transcript look good,” he said. “It was for a friend, a good cause, and helping out kids.”

After three months of planning and collecting donated soccer equipment, the team traveled to Mexico and was able to provide resources for more than 20 young boys at Emmanuel Orphanage in Tijuana.

“The trip can't even be explained in words, and pictures do not justify the event,” said Magana. “We show up, not knowing what to expect, asking ‘will the kids even like this?’ but they were so excited.”

The children immediately discarded their battered soccer ball and tried on new cleats and jerseys. Then they made their way to a makeshift field to play a game of soccer with the Project Kickabout team.

Since the Tijuana trip, Project Kickabout has been contacted through Instagram by a larger program called HelpUsSaveUs, a nonprofit that is dedicated to building a children's center in Saint Raphael, Haiti.

Haiti is still recovering from a 7.0 magnitude

earthquake that hit them in 2010. In the aftermath of the disaster, soccer has proven to be a unifying force among the survivors.

Project Kickabout Co-founder Mike Hernandez recognizes that Haiti's youth need a temporary escape from the devastation that surrounds them. “Everyone has that thing that offers them a sanctuary,” he said.

Project Kickabout agreed to make a drop in Haiti scheduled for July 14-21. Team members have been asked to host a three day soccer tournament as part of the HelpUsSaveUs summer camp for hundreds of Haitian children in St. Raphael.

The team will also assist in the construction of a basketball court at the children's center, and possibly bring a large quantity of food items for the children.

Currently Project Kickabout is looking for volunteers to join them in their effort to help Haiti. They are accepting donations of useable soccer balls, cleats, jerseys, and shorts.

Individuals also have the opportunity to join in on the trip to Haiti, where they can be part of the efforts to build the Children's Center and see firsthand what it is like to bring children the gift of soccer.

Magana urges students and community members to get involved. “We saw how [the Tijuana trip] has affected all of us, and we want others to be a part of this as well,” he said.

Project Kickabout was created by Hernandez and his friends Carlos Trevino and Ivan Hernandez. It was launched last December by the founders and a handful of volunteers. They are hoping to expand for the trip to Haiti, as well as for other future projects.

For more information regarding volunteering or donating to Project Kickabout, contact them projectkickabout@gmail.com or by phone at (951) 847-8409. Check out their page at [facebook.com/projectkickabout](https://www.facebook.com/projectkickabout), and follow them on Instagram @projectkickabout.



Brothers Zach (R) and Jessy Heinrichs are the owners of Rocket Comics.

MSJC graduates open comic shop

Article and photo by Shaun Lebby, graphic designer

Two brothers dreams came true when they opened Rocket Comics in Sun City last month.

Former MSJC students Jessie and Zach Heinrichs had always wanted to open a comic book shop together. They felt students in this area would appreciate a local place for gaming and hanging out.

Rocket Comics offers comic books, graphic novels, figurines, card games, and more. If customers are having difficulty selecting what to read, the owners keep a list of their recommendations on display behind the register.

“The books that we offer have something for everyone,” said Jessie. “They cover the same topics as most novels, from crime thrillers to romances, not just superheroes in tights.”

They also have free Wifi and vintage arcade games to play.

Special events are held throughout the year, such as movie night, game night, Yu-gi-oh! tournaments, handball tournaments, as well as gallery nights for local artists.

If comics and cards aren't your thing, they also have board games. Patrons can play “Last Night on Earth,” a game that allows you to participate as a survivor in a small town, or as one of the zombies devouring the locals.

Rocket Comics is located at 27140 Shadel Rd. in Menifee. They are open Mon-Sat from 10 a.m. to 7 p.m., and Sun. from 10 a.m. to 5 p.m. Contact the shop at (951) 309-1537.

For updates on events follow them: twitter.com/rocketcomicshop [facebook.com/rocketcomics](https://www.facebook.com/rocketcomics) [instagram: @Rocketcomics](https://www.instagram.com/Rocketcomics)



Project Kickabout volunteers and children from the Emmanuel Orphanage in Tijuana pose with their donated soccer equipment.

CLUB BLURB

Challenge Club

Come join the Challenge Club! The Challenge Club advocates for access and disability related issues, stimulates and encourages personal and academic growth of members, and also participates in appropriate and related activities. Our club isn't restricted to just people who have disabilities. Anyone can join. We meet every Thursday in room 1012 from 12:30-1:30 p.m. at MVC.

For more information contact Monique at mbarthes845@student.msjc.edu, or Darlene our outreach coordinator, at dhester191@student.msjc.edu. We look forward to meeting you!

History Club

The MSJC History Club started this semester, with a mission to build an appreciation and enjoyment of history in students from all disciplines. We also want to make history as well as study it.

There are many experiences and events we want work on next year and we need dedicated students to help create and execute them. Event planners, fundraising specialists, history lovers, or enthusiastic people who just need club involvement for their transfer applications are all welcome!

We are also looking for students or faculty who are interested in presenting to the club. Share your research on a poet or painter, present an interesting point of view on a historical event, introduce us to a lost culture, or more. It's all history and we want to hear about it!

Right now we are still deciding on the meeting times for next semester, but so far we're leaning towards Wednesdays, switching back and forth between MVC and SJC.

For more information email Sandi Colby at scolby797@student.msjc.edu.

Apply Now!



Be an MSJC College Mentor

The Mt. San Jacinto College Outreach Program is currently looking for students who are energetic, responsible, self-motivated, and eager to learn and gain experience that can be used in ANY career.

As a College Mentor you will work closely with college and high school students to help pave their way to success at MSJC! Enjoy a job opportunity as a College Mentor and **apply now!**

Pick up your application in the Eagle Access Center in room 1120B at the San Jacinto Campus or the Eagle Access Center in room 1018 on the Menifee Valley Campus

For more information and application visit <http://www.msjc.edu/collegementor>

Contact Beth Bowles at, 951-639-5315



Congressman continued from pg. 1...

Gonzalez, a psychology major, agreed with Patterson. "Congressman Ruiz will forever remain a part of MSJC history," he said.

He and Patterson worked together for months to make this event happen. It began as a letter writing campaign to get the congressman to speak, and it expanded from there.

"Part of the goal was to keep it as student centered as possible," said Gonzalez. In order to maintain that theme, they created an essay contest. Winners had lunch with Ruiz before he gave his speech.

Anthony Torres, Ursula Simonski, Eliana Christianson, Kyle Estrella, and Nicholas Ketron were the essay contest winners.

During the lunch, each student was given time to introduce themselves to Ruiz and ask him questions on a more personal level.

Other guests at the lunch included Dr. Schultz, Board of Trustee members, administrators, deans, faculty, and the Jack Kent Cooke scholarship winners.

Patterson and Gonzalez were praised for how successfully the event turned out.

"The thing that made me most proud was how our students really brought this to our institution," said Schultz. "This wasn't the president or the board, it was the students who made the connection, reached out, and put the program together."



Honors mentors Norberto Gonzalez and Jeffery Patterson with Congressman Ruiz after his Educational Outreach Talk on the San Jacinto campus last month.

Ask about our
\$2,600 Scholarship

Ask about our Discounted Tuition for MSJC Students

Who's Eligible:

Students who completed their last 21 units at MSJC.

Programs:

- Bachelor of Science in Business
- Bachelor of Arts in Management

Admission Requirements:

- 40 units of transferable credits
- 3 years of full-time work experience
- 2.0 GPA minimum

Why Redlands:

- One-night-a-week classes
- FREE application process
- **\$2,600 Reward Scholarship for students starting by June 30, 2013**
- Free parking
- Campuses conveniently located for MSJC Students in Temecula, Riverside and Redlands
- Financial Aid available

Contact a Redlands counselor today:

Temecula Campus:

Dave Porter (951) 296-2067

Riverside Campus:

Megan Gauger (951) 782-7995

Redlands Campus:

Angie Bynon/Liz Villegas (909) 748-8060



UNIVERSITY OF

Redlands

SCHOOL OF BUSINESS

Education +

Redlands.edu

MEET OUR STAFF



EMILY MCKELLAR
editor-in-chief



SHAWNEES PEACOCK
assistant editor



FREDDIE GARCIA
photographer



JEFFERY PATTERSON
public relations



SHAUN LEBBY
graphic designer



KURT LAUK
writer



RETA BIDI
writer



ERICA JOHNSON
writer



SANDI M. COLBY
writer



ZAC FORCE
writer



LIZETTE MUNOZ
member



REGINA YOUNG
member



JESSICA McMEANS
member



ALEX CUATOK
adviser

Not pictured:
Rachel Johnson, staff writer
Jeana Robbins, staff writer

The Talon is MSJC's first news publication in over a decade, brought to you by a group of talented students dedicated to informing and representing the student body. We're always looking for more writers, photographers, and graphic designers. If you'd like to join our team email us at msjctalon@gmail.com.

The Talon • Mt. San Jacinto College, 28237 La Piedra Rd, Menifee, CA 92584
www.msjc.edu/thetalon • www.facebook.com/msjctalon • [twitter @msjcthetalon](https://twitter.com/msjcthetalon)
View our issues online at: www.issuu.com/msjctalon

OPINIONS PUBLISHED IN THE TALON ARE THOSE OF THE INDIVIDUAL WRITER AND DO NOT NECESSARILY REFLECT THOSE OF THE ENTIRE NEWSPAPER STAFF, MSJC FACULTY, OR THE BOARD OF TRUSTEES. THE TALON WELCOMES ALL ARTICLE SUBMISSIONS. WE RESERVE THE RIGHT TO EDIT THEM FOR CONTENT AND GRAMMAR, AND WILL NOT PUBLISH LEWD OR LIBELOUS SUBMISSIONS.